



# 4.

## *Planner*

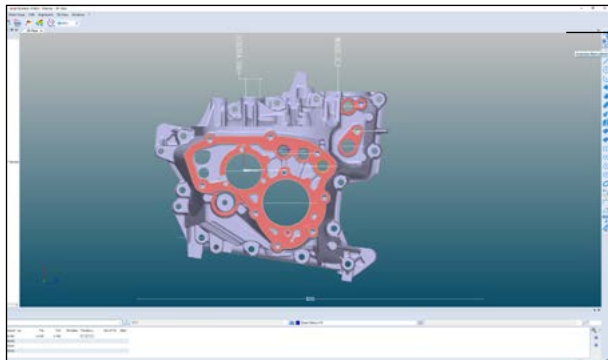
Prepare your work  
and plan your Inspection

**Inspect with confidence**



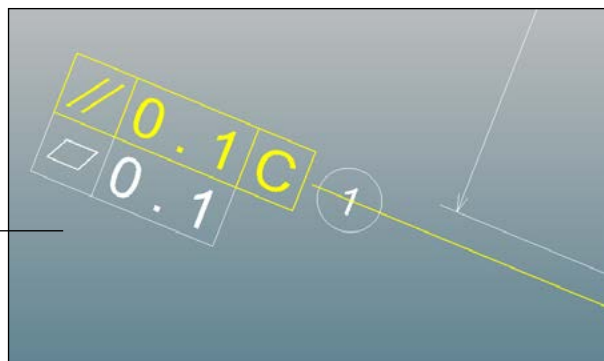
# PlannerX4: Prepare Your Work and plane your Inspection

- Offline Preparation of your measurements process with Planner X4
- Identify which features you want to measure
- Compute using basic 2D, embedded PMI data or also importing different inspection planning files (proprietary or standard ones like QIFF)
- Import any CAD file, any data
- Prepare the features to be measured
- Prepare View and Report



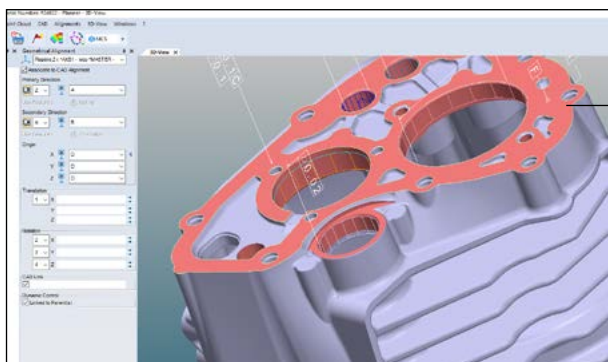
## 1/ Inspection Plan Collector

Thanks to the Inspection Plan Collector, build the inspection plan in one-click! All the features will be define on the Features Database.



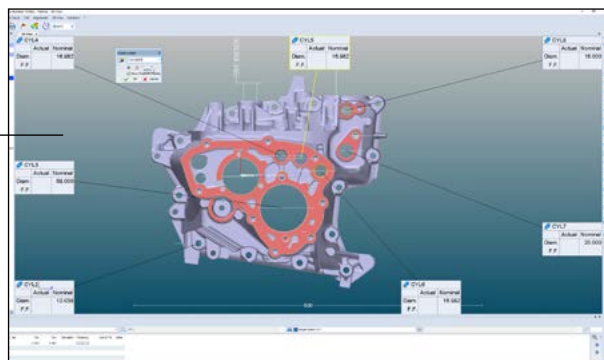
## 2/ Create Identifications Numbers

If necessary, for greater visibility, create identifications number on your PMI.



## 3/ Alignment Creation

Choose the type of alignment you wish to apply to your control and select the reference elements. Model 3-2-1, Geometrical, Best-Fit, you have the hand.



## 4/ Views Creation

Prepare yours stickers and views directly with PlannerX4. Customize your stickers as you wish, to get the view that suits you best.



## 5/ Reports Creation

Embedded within the Working Session, create your reports choosing your layout, and structuring the report as you wish. Add photos and results using Drag & Drop.